



∴ HEINE BETA® LED Ophthalmoscopes

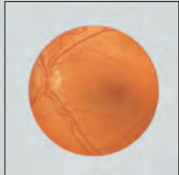
The best and brightest HEINE Ophthalmoscopes based on 70 years of experience and exclusive LED^{HQ} Technology



[HEINE BETA[®] 200 LED OPHTHALMOSCOPE]



LED^{HQ} for precise illumination and true colour images during fundoscopic examinations



Range of 27 lenses from -35 D to +40 D (-10 D to +10 D in 1 dioptre steps)

Continuous brightness control

Metal housing



BETA4 rechargeable handles with latest Li-ion technology offer more than double the capacity (no memory effect) compared to previous NiMH rechargeable batteries, rapid charging* and an additional charge status indicator**

*BETA 4 NT (Li-ion) typically 2 hrs
BETA 4 USB (Li-ion) typically 4 hrs
** only for BETA 4 NT, BETA 4 USB

BETA 200 with 6 apertures



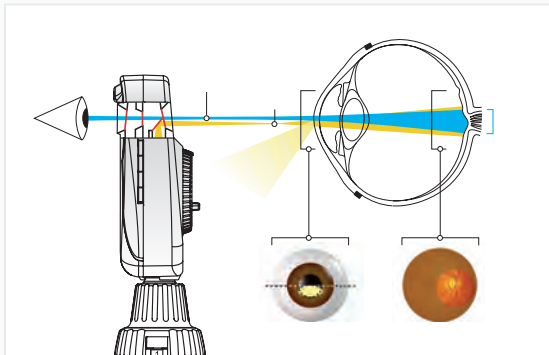
Slit, fixation star with polar coordinates, blue filter, large spot, small spot, pinhole



With red-free filter

HEINE BETA[®] LED Ophthalmoscopes: Now with exclusive LED^{HQ} Illumination

Exclusive aspherical optical system (AOS) redirects corneal reflections away from the examiner's path of sight providing a **crisp, clear view of the fundus**. Eliminates the need for filters and other systems that reduce resolution.



Exclusive **continuous brightness control** between 100% and 3% (patent pending) with one-finger operation. At the same time colour rendering values and homogeneous illumination stay the same. **To suit any examination environment**, and for increased patient comfort by **reducing glare**.

Exclusive dustproof design with aluminium frame protects the precision optical components, ensures maintenance-free operation and makes the instrument shock-resistant.



5 Year Guarantee. HEINE makes no compromises in manufacturing high quality medical instruments. Our commitment to vertical integration in manufacturing means we control all aspects of our instrument quality.



HEINE LED^{HQ}: Light that shows colours as they are



LED light sources impress with a long lifetime and energy efficiency. There is no need to ever exchange the LED. The quality of LED illumination however can vary greatly compared to XHL illuminations.

With exclusive HEINE LED^{HQ} technology you can enjoy all benefits of the familiar LED technology with no compromise in illumination quality. This is achieved by a high Colour Rendering Index (CRI) of 97 (red is red, blue is blue).

HIGH AND HOMOGENEOUS ILLUMINATION

FAITHFUL COLOUR RENDERING INDEX

Colour temperature 3500K, Colour Rendering Index (CRI) > typically 97, special index for red colours (R9) >93 on a maximum scale of 100.

CONSISTENT LIGHT OUTPUT AND PERFORMANCE

throughout the whole working life of up to 100,000 hours.

EFFICIENCY

with the BETA4 rechargeable handle a longer examination time of approx. 3x.

[HEINE BETA[®] 200 S LED OPHTHALMOSCOPE]



LED^{HQ} for precise illumination and true colour images during fundoscopic examinations

BETA4 rechargeable handles with latest Li-ion technology offer more than double the capacity (no memory effect) compared to previous NiMH rechargeable batteries, rapid charging* and an additional charge status indicator**

*BETA4 NT (Li-ion) typically 2 hrs.
BETA4 USB (Li-ion) typically 4 hrs.

**only for BETA4 NT, BETA 4 USB



Range of 28 lenses from -36D to +38D offer 74 one dioptr steps. Perfect focus even with high refractive errors

BETA200 S with 7 apertures:



Blue filter, fixation star with polar coordinates, large spot, small spot, pinhole, slit, hemispherical




With red-free filter

Continuous brightness control

Metal housing

[ORDERING INFORMATION]

BETA200 LED Ophthalmoscope Set with BETA4 USB rechargeable handle
The set includes the BETA200 LED Ophthalmoscope, **BETA4 USB rechargeable handle with USB cord and plug-in power supply**, hard case, handle rest

C-144.28.388 


BETA200 LED Ophthalmoscope Set with BETA4 NT rechargeable handle
The set includes the BETA200 LED Ophthalmoscope, **BETA4 NT rechargeable handle with NT4 table charger**, hard case

C-144.24.420

BETA200 LED Ophthalmoscope, without handle

C-008.30.100

BETA200 S LED Ophthalmoscope Set with BETA4 USB rechargeable handle
The set includes the BETA 200 S LED Ophthalmoscope, **BETA4 USB rechargeable handle with USB cord and plug-in power supply**, hard case, handle rest

C-261.28.388 

BETA200 S LED Ophthalmoscope Set with BETA4 NT rechargeable handle
The set includes the BETA 200 S LED Ophthalmoscope, **BETA4 NT rechargeable handle with NT4 table charger**, hard case

C-261.24.420

BETA200 S LED Ophthalmoscope, without handle

C-008.30.120



For additional product configurations and further HEINE Quality Products please visit www.heine.com or give us a call!

We reserve the right to change specification without notice.
© 2015 HEINE Optotechnik GmbH & Co. KG. All rights reserved.

Your distributor

11/15. A-000.00.267 e

