



# GIMA

PROFESSIONAL MEDICAL PRODUCTS

Gima S.p.A.  
Via Marconi, 1 - 20060 Gessate (MI) Italy  
gima@gimaitaly.com - export@gimaitaly.com  
[www.gimaitaly.com](http://www.gimaitaly.com)

## Biological Microscope

### USE AND MAINTENANCE BOOK

**ATTENTION:** The operators must carefully read and completely understand the present manual before using the product.



**REF** 31002



Teme l'umidità  
Keep dry



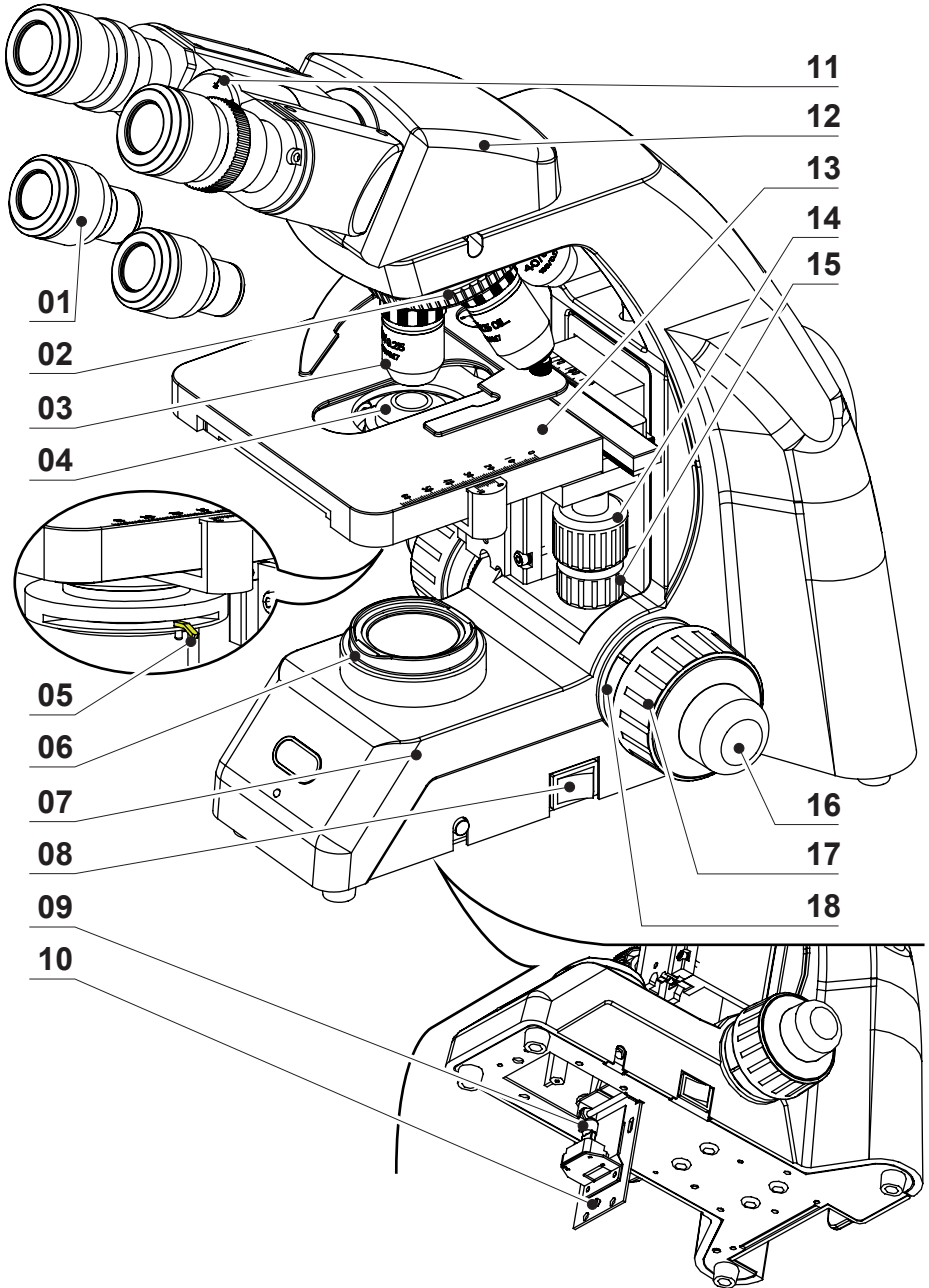
Conservare al riparo della luce solare diretta  
Keep away from sunlight

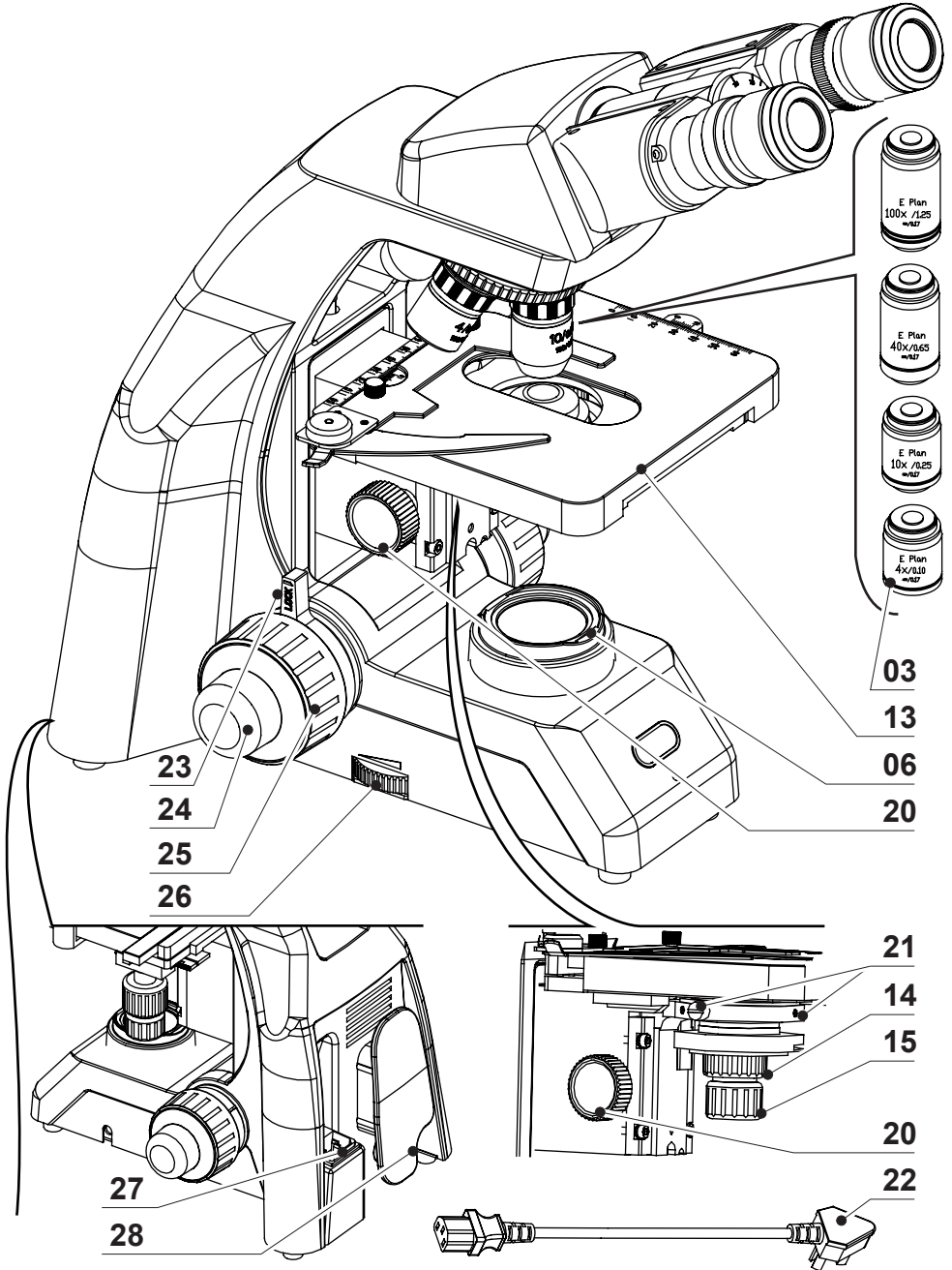


Fabbricante  
Manufacturer

**Alltion (Wuzhou) Co., Ltd.**

Alltion Building, NO.10, 3rd Road, Wuzhou Industrial Park,  
Wuzhou, Guangxi, China  
Made in China





## **Biological Microscope**

- 01** Eyepiece
- 02** Nosepiece
- 03** Objective
- 04** Condenser
- 05** Aperture Iris Diaphragm adjustment
- 06** Illumination
- 07** Main body
- 08** Main Switch
- 09** Bulb
- 10** Screw
- 11** Interpupillar Distance Indicator
- 12** Binocular viewing head
- 13** Stage
- 14** Portrait Adjustment Knob
- 15** Lateral Adjustment Knob
- 16** Right Fine Focus Knob
- 17** Right Coarse Focus Knob
- 18** Tension Adjustment Collar
- 20** Condenser Focusing Knob
- 21** Condenser centering knobs
- 22** Power cable
- 23** Locking Set
- 24** Left Fine Focus Knob
- 25** Left Coarse Focus Knob
- 26** Brightness Adjustment Knob
- 27** Fuse holder
- 28** Cable winder

### Safety Note

1. Open the box carefully to avoid the accessories, like lens, dropping to ground or being damaged.
2. Do keep the instrument out of direct sunlight, high temperature or humidity, dusty and easy shaking environment. Make sure the stage is flat, horizontal and firm enough.
3. When moving the microscope, carefully carry it with the handle and the base.
4. Make sure the instrument is earthed, to avoid lightning strike.
5. For safety, be sure the main switch is in "O" (off) state and cut off the power supply before replacing the bulb or the fuse. If you replace the bulb during use or right after use, allow the lamp bulb and the lamp house to cool completely before touching.  
(Designated bulb: 1W S-LED or 6V20W Halogen Lamp)
6. Check the input voltage: be sure the input voltage which is signed in the back of the microscope is consistent with the power supply voltage, or it will bring a serious damage to the instrument.
7. Always use the power cord provided by Gima.
8. The electrical equipment of the microscope should be discard as electronic waste.

### Maintenance and Care

1. All the lenses have been adjusted properly; do not dismount them by yourself please.
2. The nosepiece and coarse and fine focusing parts are so delicate that it is forbidden to disassemble them carelessly by yourself.
3. Keep the instrument clean, and do not pollute the optical element when wiping away the dust on the instrument.
4. The contaminations on the prism, like fingerprints and oil smudges, could be gently wiped with a piece of soft cloth or tissue paper, gauze which has been immersed in pure alcohol or ether. **(Note that the alcohol and ether are highly flammable, do keep them away from the fire or potential sources of electrical sparks, and use them in a drafty room as possible as you can.)**
5. Do not attempt to use organic solvents to clean the microscope components other than the glass components. To clean them, use a lint-free, soft cloth slightly moistened with a diluted neutral detergent.
6. When using, if the microscope is splashed by liquid, cut off the power at once, and wipe away the splash.
7. Do not disassemble any parts of the microscope, as this will affect the function or reduce the performance of the microscope.
8. Place the instrument in a cool, dry position. When not using the microscope, keep it covered with a dust cover. Make sure the lamp socket is cool before covering the microscope.



## Assembly procedure

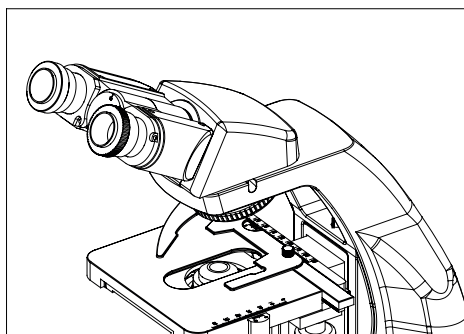
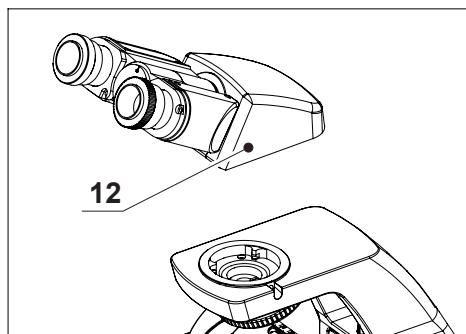


*Before installing, be sure every components is clean, do not score any parts or glass surface.*

*Keep well with hexagon wrench provided. When changing the components, you will need it again.*

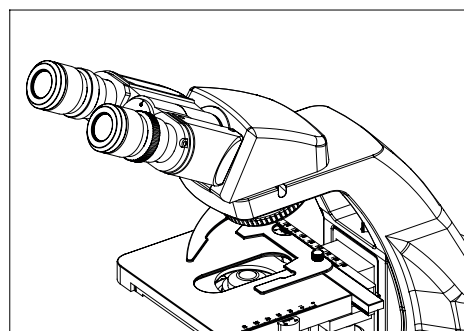
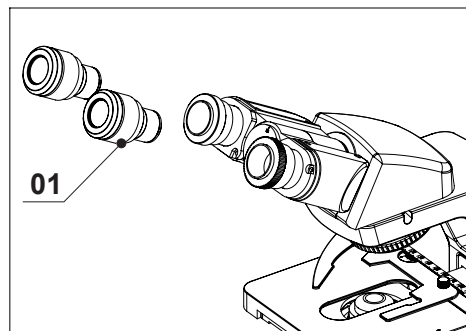
### Installing binocular viewing head

Insert the binocular viewing head **12** into the microscope head and turn it to a proper position, then tight it.



### Installing the eyepiece

Insert the eyepiece **01** into the eyepiece tube until they are against each other.



## Installing the objective

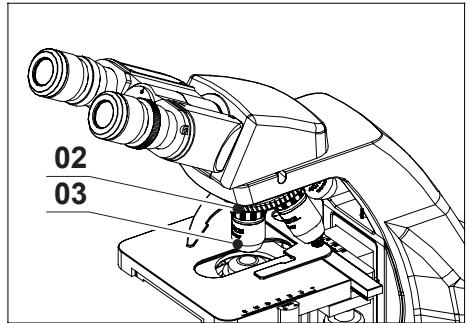
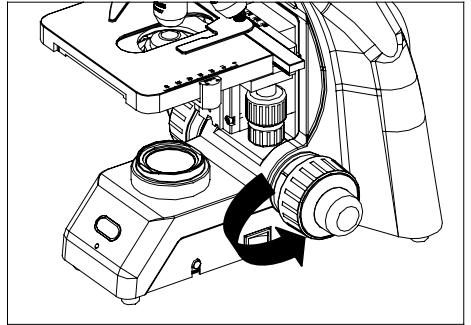
1. Adjusting the coarse focus knob until the support device of the mechanical stage reaches its low limit position.
2. Screw the lowest magnification objective **03** into the nosepiece **02** from the left or the right side, then revolve the nosepiece **02** clockwise and mount other objectives by the sequence of low to high magnification

Installing objective this way will make the change of magnification to be easier during using.

*Clean the objective regularly, for lens is susceptible to dust.*

*When operating, use 10× magnification objective to search and focus specimen firstly, then replace with higher magnification objective if necessary.*

*When replacing the objective, slowly turn the nosepiece until you hear “clicked”, that means the objective is in place.*

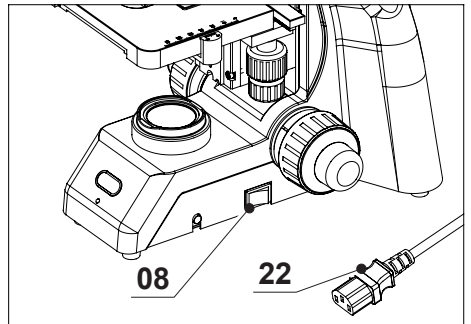


## Connecting the Power Cord

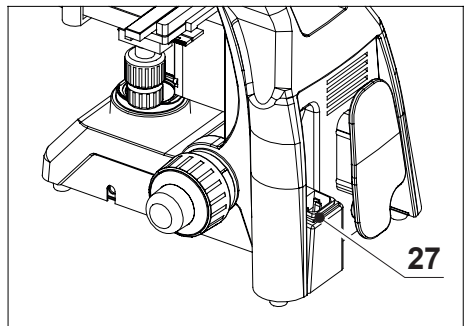


*The cable and cords are vulnerable when bent or twisted, never subject the power cord to excessive force.*

1. Set the main switch **08** to “0” (off) state before connecting the power cable **22**.
2. Insert the plugs into the power jack **27** of the microscope safely.
3. Plug the power cable **22** into the power supply receptacle. Make sure the connection is well.



*Do use the supplied power cord all the time. If lost or damaged, select the same standard cord, please. A wide range of voltage, like 100V~240V, is acceptable for this microscope.*





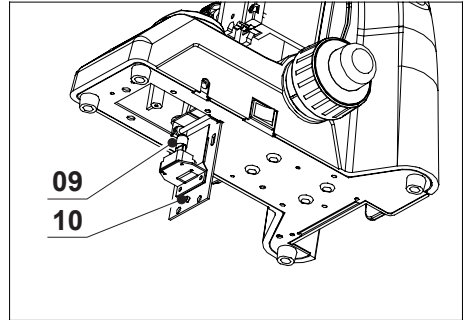
## Replacing the fuse

Do remember to set the main switch **08** to the state "0" (OFF) and unplug the power cord before replacing the fuse. Rotate the fuse out of the holder **27**, replace with a new fuse, then rotate it back to the holder again.

## Installing and Replacing the bulb

Please use the specified lamp.

1. Loosening the screw **10**
2. Hold the bulb **09** after you wrap it with gauze or other protection materials, and then insert it pin deeply into the jack in the lamp holder.
3. During microscope using or soon after it is turned off, the bulb, the lamp house and nearby parts will be very hot and will cause serious burns. Please turn the main switch to "0" (off) and disconnect the power plug, and make sure the bulb, the lamp room and periphery are all cool. Then, you can do your replacing.



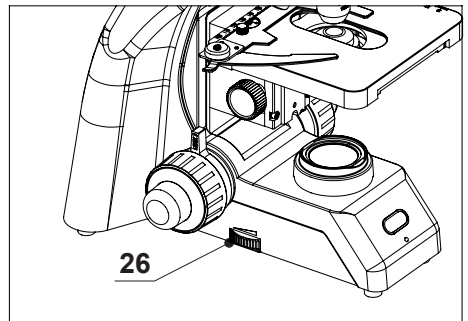
*Insert the bulb gently. Squeezing too hard will damage the bulb.*

*To prevent reduced bulb life or cracking, do not touch the bulb with bare hands. If fingerprints are accidentally left on the bulb, wipe the bulb with a soft cloth.*

## Adjustment and Operation

### Brightness Adjustment

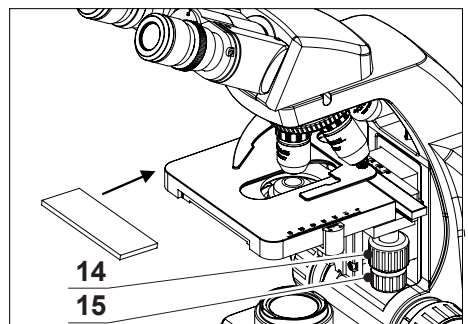
1. Connect the power cord and set the main switch **08** to "I" state (ON).
2. Turning the brightness adjustment knob **26**.



### Placing the Specimen

1. Place the specimen the center of the mechanical stage and use the stage clips to clamp it.
2. Turn the portrait **14** and lateral adjustment knob **15** of the mechanical ruler, move the specimen to the required position.

*Be careful when changing the objective. If you finish the observation with the short working distance objective, and want to change another one, be careful of not letting the objective touch the specimen.*



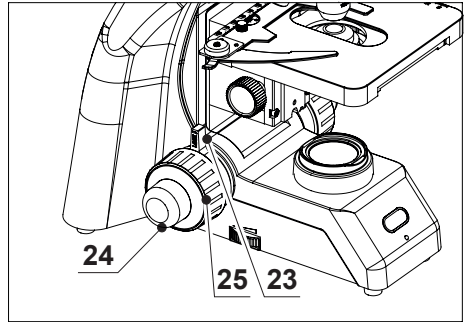


### Focusing the Specimen

1. Focus the specimen with 10x objective. To avoid the objective touching the specimen during focusing, you should raise the mechanical stage to let the specimen close to the objective at first, then slowly separate them to bring the specimen to focus.

Turn the coarse focus knob **25** conversely to lower the specimen and search images in the 10×ocular simultaneously, and then use the fine knob **24** to focus. After that, you can replace with other magnification objectives safely, and focus without the risk of damaging the specimen.

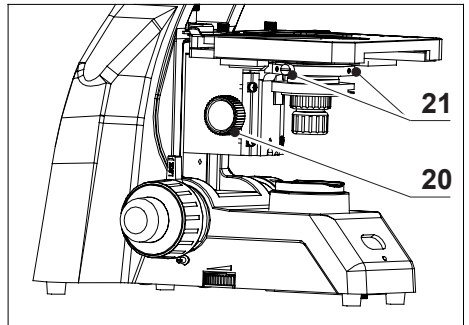
To make the observation more convenient, you can use the locking set **23** to fix the stage in a vertical direction.



### Condenser Adjustment

Turn the condenser focus knob **20** to move the condenser up and down. Raise the condenser when using the high magnification objective, and descend it when using the low magnification one.

1. Focus the specimen with 10x objective.
2. Adjust the condenser focus knob **20** to get a clear image of the field iris diaphragm.
3. Turn the condenser centering knobs **21** to center the image of field iris diaphragm in the field of view.



*The condenser and the objective are coaxial. It has been adjusted before leaving factory, so the user needn't to adjust them by self*

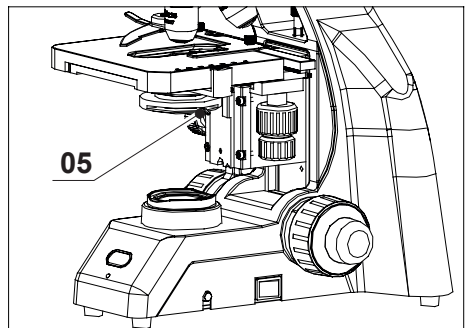
*The highest position of the condenser has been adjusted too. It also needn't any user's operation. (The top surface of the condenser is 0.03 mm - 0.4 mm lower than the stage top surface.)*

### Aperture Iris Diaphragm Adjustment

Turn the aperture iris diaphragm stick **05** to adjust the aperture iris diaphragm.

*The aperture iris diaphragm is designed for the adjustment of the numerical aperture, not for the brightness.*

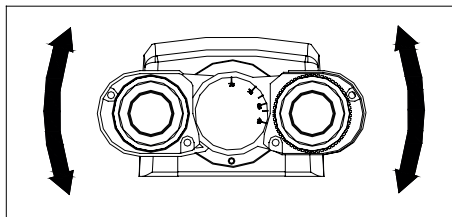
Generally, setting the aperture iris diaphragm to 70- 80% of the N.A. of the objective in use will provide an image with good contrast. If you want to observe the image of the aperture iris diaphragm, remove one eyepiece and look through the tube. You will see a dark circle encroaching on the bottom of the tube.





### Adjusting the Interpupillary Distance

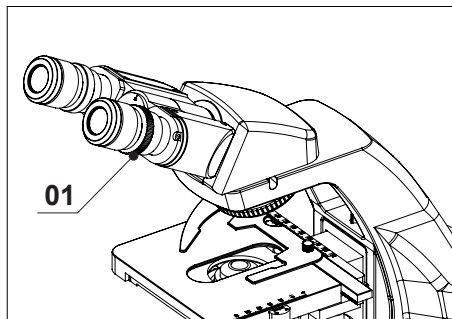
The interpupillary distance range: 55mm ~ 75mm  
While looking through the eyepieces, move both eyepieces round until the left and right fields of view coincide completely.



### Adjusting the Diopter

1. Turn the eyepiece **01** to adjust the diopter while looking through it.

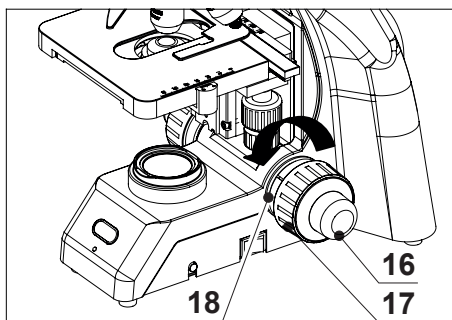
*The diopter range of the eyepiece is  $\pm 5$  diopter. The number aligned to the line on the viewing head is the diopter in use.*



### Adjusting the tension adjustment collar

Turn the tension adjustment collar **18** with your fingers. When the collar is turned in the direction of the arrow, the tension of the coarse adjustment knob **17** increases. Turning the collar in the opposite direction decreases the tension.

If the nosepiece descends on its own or if the specimen gets out of focus quickly even when it is brought into focus using the fine adjustment knob **16**, it means the tension of the coarse adjustment knob is too low. Turn the collar in the direction of the arrow to increase the tension.



## Technical Specifications

### Main Specifications

Optical System	Limited optical system/Infinite optical system
Viewing Head	Seidentopf Binocular Head, 30°Inclined, Interpupillary Distance 48-75 mm
Eyepiece	WF 10X/18 WF 10X/20
Nosepiece	Backward Quadruple Nosepiece
Objective	Achromatic Objective/Infinite Semi-plan Objective 4×, 10×, 40×, 100×
Focusing	Coaxial Coarse and Fine Adjustment, Moving Range 0.002mm <, Fine Division 20mm
Condenser	Abbe Condenser, NA1.25
Stage	Double Layers Mechanical Stage 160×140, Moving Range 74×50
	Timing Belt Stage 150×139mm, Moving Range 75×52mm
Illumination	1W S-LED Lamp

### Eyepiece and objectives

#### Achromatic Objective

Magnification	Numerical Aperture NA	Focal Length (mm)	Focal distance (mm)	Working Length (mm)	Objective
4×	0.10	0.17	31.05	37.5	dry
10×	0.25	0.17	17.13	7.316	dry
40×	0.65	0.17	4.65	0.632	dry
100×	1.25	0.17	2.906	0.198	oil

#### Infinite Semi-plan Objective

Magnification	Numerical Aperture NA	Focal Length (mm)	Focal distance (mm)	Working Length (mm)	Objective
4×	0.10	0.17	45	16.8	dry
10×	0.25	0.17	18	5.8	dry
40×	0.65	0.17	4.5	1.43	dry
100×	1.25	0.17	1.8	0.13	oil

#### Eyepiece

Eyepiece	Magnification	Focal Length (mm)	Field of View (mm)
Wide field eyepiece	10×	24.95	Φ18
Wide field eyepiece	10×	25	Φ20

#### Total Magnification

Eyepiece	10×	10×	10×	10×
Objective	4×	10×	40×	100×
Total Magnification	40×	100×	400×	1000×

## Troubleshooting Guide

### Optical System

TROUBLE	CAUSE	SOLUTION
1. The edge of the field of view is dark or the brightness is not uniform	The nosepiece is not in the located position (objective and light path not coaxial)	Locate the nosepiece properly where it clicks
	The surface of the lamp becomes black	Change a new lamp bulb
	A lens (the objective, condenser, eyepiece or collector) is dirty.	Clean it thoroughly
2. Dirt or dust is visible in the field of view	Dirt/dust on the specimen	Replace with a clean specimen
	Dirt/dust on the eyepieces	Clean them
3. Visibility is poor Image is not sharp; Contrast is poor; Details are indistinct	Specimen is not covered	Add cover glass on it
	The thickness of the cover glass is not suitable	Use standard cover glass with thickness of 0.17mm
	Specimen is placed reversely	Turn it over
	Dry objective has oil on it. (especially for 40X objectives)	Wipe the oil
	A lens (the objective, condenser, eyepiece or collector) is dirty.	Clean it
	Immersion oil is not used with the 100x objective	Use specified oil
	Air bubbles existed in the immersion oil	Eliminate the bubble
	The aperture iris diaphragm is stopped down too far	Adjust the aperture iris diaphragm properly
4. One side of image is blurred	Dirt or dust on the eyepiece	Clean it
	Condenser is not properly centered	Center the condenser with the centering screw
	The nosepiece is not properly engaged	Engage the nosepiece properly
5. The brightness is not enough	The specimen is not clamped	Clamp it with stage clips
	The aperture iris diaphragm is too small	Adjust it properly
	The condenser is too low	Adjust it properly
	A lens (the objective, condenser, eyepiece or collector) is dirty.	Clean it

### Mechanical System

TROUBLE	CAUSE	SOLUTION
1. Field of view of one eye does not match that of the other	Interpupillary distance is incorrect	Adjust interpupillary distance
2. Observation is tiring	The diopter is not proper	Adjust the diopter properly
	The brightness of the illumination is not proper for eyes	Adjust the lamp voltage

## Electrical System

TROUBLE	CAUSE	SOLUTION
1. The bulb cannot light	No power supply	Check the power cord connection
	The pin of the bulb doesn't insert properly	Insert the pin deeply
	The bulb broken	Replace with a new one
2. The bulb burns out suddenly	The bulb is not the specified one; The voltage is too high	Use the specified bulb; lower the voltage
3. The illumination is not bright enough	the voltage is too low	Raise the voltage
4. Image flicks	The bulb is about to burn out	Replace with a new one
	The bulb is not inserted deeply	Check its connection



**Disposal:** *The product must not be disposed of along with other domestic waste. The users must dispose of this equipment by bringing it to a specific recycling point for electric and electronic equipment.*

*For further information on recycling points contact the local authorities, the local recycling center or the shop where the product was purchased. If the equipment is not disposed of correctly, fines or penalties may be applied in accordance with the national legislation and regulations.*

## GIMA WARRANTY CONDITIONS

Congratulations for purchasing a GIMA product.

This product meets high qualitative standards both as regards the material and the production.

The warranty is valid for 12 months from the date of supply of GIMA.

During the period of validity of the warranty, GIMA will repair and/or replace free of charge all the defected parts due to production reasons. Labor costs and personnel traveling expenses and packaging not included.

All components subject to wear are not included in the warranty.

The repair or replacement performed during the warranty period shall not extend the warranty.

The warranty is void in the following cases: repairs performed by unauthorized personnel or with non-original spare parts, defects caused by negligence or incorrect use.

GIMA cannot be held responsible for malfunctioning on electronic devices or software due to outside agents such as: voltage changes, electro-magnetic fields, radio interferences, etc.

The warranty is void if the above regulations are not observed and if the serial code (if available) has been removed, cancelled or changed.

The defected products must be returned only to the dealer the product was purchased from.

Products sent to GIMA will be rejected.