

MULTIFUNCTIONAL CARTS - MADE IN ITALY

SMART CARTS

BUILD UP YOUR FAVOURITE CART



Compatible with 4 hook metal support 27846

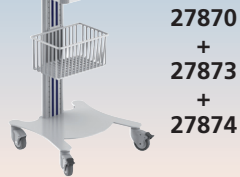
27870



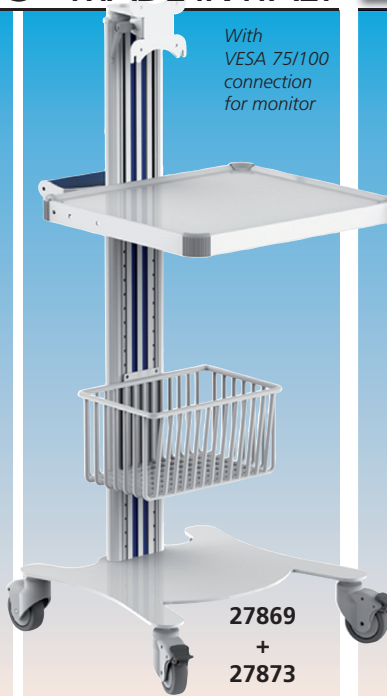
27870 + 27872



27870 + 27888

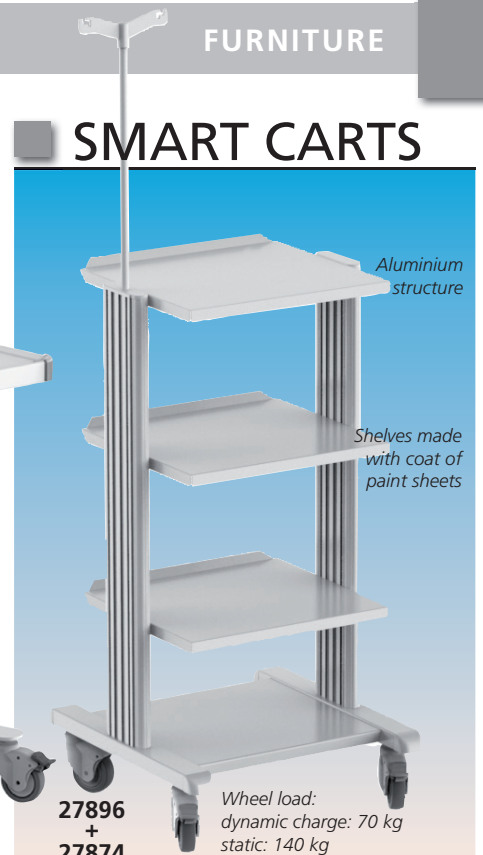


27870 + 27873 + 27874



With VESA 75/100 connection for monitor

27869 + 27873



Aluminium structure

Shelves made with coat of paint sheets

Wheel load: dynamic charge: 70 kg static: 140 kg

27896 + 27874

SUPER EASY CART: A new stylish and quality cart you can build according to your needs

TECHNICAL SPECIFICATIONS

Dimensions: 47x42x79 cm
Shelf: 32x26 cm or 40x36 cm
Load capacity: total load 120 kg shelf 10 kg
4 castors Ø 80 mm (2 with brake)
Material: - extrusions in aluminium
- plastic parts in ABS
Shelf: steel sheet epoxy powder coated

GIMA code	SUPER EASY CARTS - WITH HANDLE
27870	Cart with 1 shelf (32x26 cm)
27869	Cart with shelf (40x36 cm), monitor support
27871	Cart with large shelf (40x36 cm)
ACCESSORIES for all SUPER EASY CARTS	
27872	Extra shelf 32x26 cm
27873	Basket
27874	Infusion stand
27875	Extra shelf 40x36 cm
27888	Cardio arm for ECG

SMART CART - grey/white RAL 7035
Carts with 3, 4 or 5 wide, sturdy shelves
4 castors Ø 80 mm (2 with brake).

GIMA code	SMART CARTS
27895	Cart h80 cm 3 shelves 40x36 cm
27896	Cart h90 cm 4 shelves 40x36 cm
27897	Cart h115 cm 5 shelves 40x36 cm
27873	Basket
27874	Infusion stand
27888	Cardio arm for ECG

TRIS TROLLEY

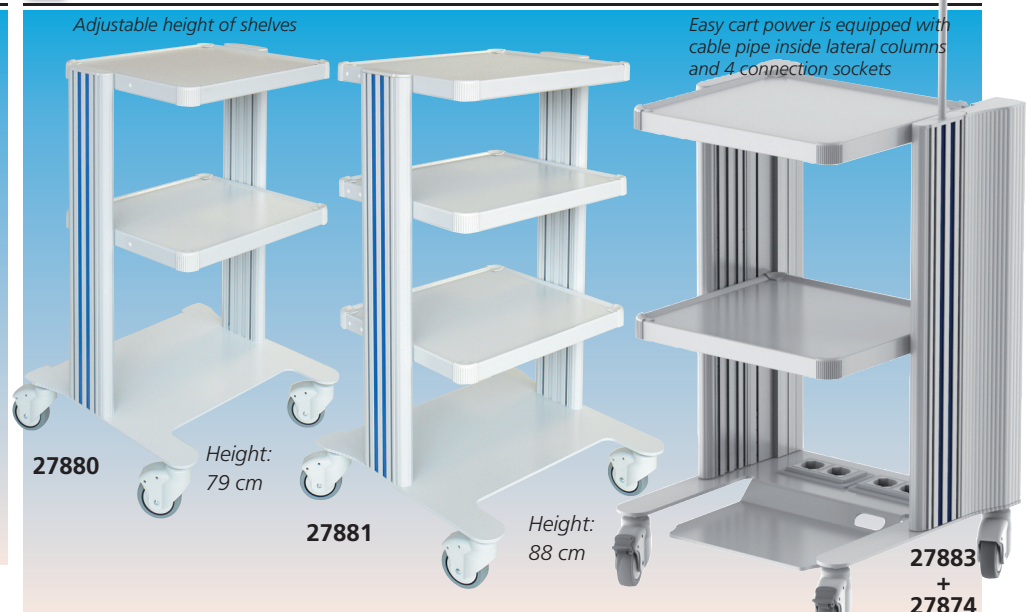


77 cm

27438

• **27438 TRIS TROLLEY**
A practical trolley for ECG, Electrosurgical unit or any other device, with 4 nylon castors and 2 lateral handles for easy moving. Revolving castors Ø 50 mm. Size: 49x37xh 77 cm. Shelf size: 40x30 cm. Colour: RAL 9002
Delivered in kit form.
Made in Italy.

EASY CARTS - MADE IN ITALY



Adjustable height of shelves

Easy cart power is equipped with cable pipe inside lateral columns and 4 connection sockets

27880

Height: 79 cm

27881

Height: 88 cm

27883 + 27874

EASY CART
A complete line of stylish and sturdy carts with 3, 4 or 5 shelves and with power.

TECHNICAL SPECIFICATIONS

Dimensions (WxDxH): 50x45x79/88/112 cm
Load capacity: total load 140 kg shelf 25 kg
Shelves: 40x36 cm
4 castors Ø 80 mm (2 with brake)
Material: - vertical aluminium extrusions
- plastic parts in ABS
Shelf: steel sheet epoxy powder coated

GIMA code	EASY CARTS
27880	Cart h79 cm 3 shelves 40x36 cm
27881	Cart h88 cm 4 shelves 40x36 cm
27882	Cart h112 cm 5 shelves 40x36 cm
27883	Cart power h79 cm 3 shelves 40x36 cm
ACCESSORIES EASY CARTS	
27873	Basket 30x16xh 14.5 cm
27874	Infusion stand
27884	Extra shelf 40x36 cm
27888	Cardio arm for ECG