

Sterilair PRO

Tecno-Gaz S.p.A.
Strada Cavalli, 4
43038 Sala Baganza (PR) Italy
Ph +39 0521 8380
info@tecnogaz.com

Device for air sterilization

Keep your professional image and prestige by protecting your health, staff and patients. Steril Air PRO is the first sterilization system that ensures the elimination of all microorganisms including spores. This device operates continuously and in the presence of people ensuring maximum operator protection. Steril Air PRO is an ergonomic and absolutely silent device

Operation

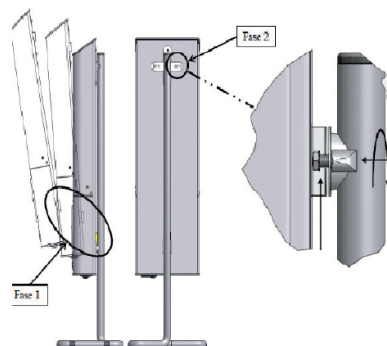
Its operation is based on a closed loop forced ventilation system. The air drawn into the device first passes through a mechanical filter located in the inlet. Here the most coarse pollutants stop, which avoid contaminating the germicidal lamps: the air then enters into direct forced contact with the mercury vapor tubes which, thanks to the emission of UV-C rays, exert a germicidal action. The highly anticorodal reflective casing concentrates the reflection of the UV-C rays. The air is expelled through the socket, allowing microbiological removal.

The System

The main advantage of this device lies in the total absence of danger to humans, since the module does not present risks of UV-C losses. The device is able to sterilize the ambient air continuously (120 m³ / h). It allows to reduce the microbiological pollution of the air in every room, during all the operational phases, without prejudice to the health of the workers. After three hours of operation, the aerobic bacterial load decreases by 90%.



Art. SA002ZSA
Base Support



Characteristics

WxHxD	(270x820x110) mm	Duration UV-C	9000 H
Weight	13 kg	Structure	Aluminum
Voltage	230V~ - 50 Hz	Installation	Base or Wall Mounted
Absorption	150 W	Color	Anodized
Sterilization capacity	120 m ³ /h	Danger	None
Operation	Continuo	Ozone Release	None
Wavelength	254 nm	External UV release	None