

**HEINE** QUALITY  
MADE IN GERMANY

## ∴ HEINE Hand-held Ophthalmic Instruments

For precise diagnostic examination of the eye.





LED HO

LED NOW IN HEINE QUALITY.



# HEINE BETA® 200 / BETA® 200S OPHTHALMOSCOPE

For a clear, bright, glare-free image of the fundus – for years to come.

BETA 200	BETA 200S
- 35/+40 27 diopter steps	- 36/+38 74 single diopter steps
6 apertures:  Slit, fixation star with polar coordinates, cobalt blue filter, large spot, small spot, hemispot	7 apertures:  Cobalt blue filter, fixation star with polar coordinates, large spot, small spot, pinhole, slit, hemispot
 With red-free filter	 With red-free filter

Dustproof housing

Reduction of reflections thanks to the "Aspherical Optical System" (AOS)\* exclusively from HEINE

Optical components are mounted on a cast aluminum frame



LED NOW IN HEINE QUALITY.

XHL or LED<sup>HQ</sup> illumination for precise illumination and true colour images during funduscopic examinations

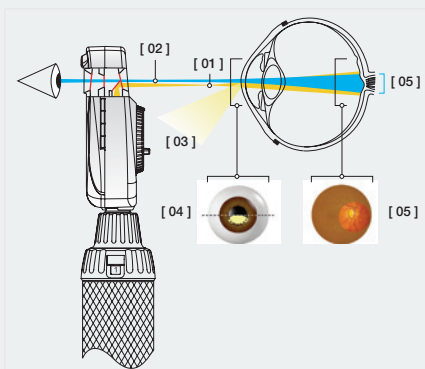
Patented, unique, stepless dimming

BETA4 rechargeable handle with latest Li-ion technology



### EN 200 Diagnostic Centre:

Instruments located at your fingertips in a space-saving design



### \*Aspherical Optical System" (AOS) exclusively from HEINE

eliminates corneal and iris reflexes to provide large, crisp and glare-free fundus images.

- [01] Flat, elliptical illumination beam produced by HEINE's Aspherical Optical System.
- [02] Observation path.
- [03] Redirected iris and corneal reflexes.
- [04] The elliptical light beam enters through the lower half of the cornea. The illumination beam has been separated from the observation beam (Gullstrand-Principle). All reflexes are diverted away from the observation beam due to the curvature of the reflective cornea. Due to the flat, compressed form of the light beam, a maximum amount of light enters through the pupil.
- [05] Once past the anterior chamber, the light beam opens up dramatically to illuminate a large area of the retina.

# HEINE BETA<sup>®</sup> 200 RETINOSCOPE

For a fast, reliable and objective determination of refractive error.

Polarisation filter:  
Eliminates stray light  
and internal reflexes

Enclosed vergence  
sleeve prevents drift  
during examinations

Fixation cards  
with holder for  
dynamic  
retinoscopy



Dustproof housing

Brilliant, precise  
streak image

Exclusive ParaStop function\*  
for the precise selection of  
the parallel beam



LED NOW IN HEINE QUALITY.

XHL or LED<sup>HQ</sup>  
illumination

Patented, unique,  
stepless dimming

## \*HEINE ParaStop

The BETA 200 Retinoscope with ParaStop features the latest multi-coated optics for an exceptionally bright fundus reflex and easier detection of the neutralisation point. ParaStop was developed by HEINE for the easy, precise selection of a parallel illumination beam. ParaStop simplifies and speeds up the precise detection of cylinder axis. ParaStop also simplifies the verification of the cylinder correction after refraction.

## LIGHT THAT SHOWS COLOURS AS THEY ARE

- **Bright and homogeneous illumination**
- **Accurate colour rendering index**
- **Consistent light output and performance** throughout the whole working life
- **Efficiency** with the BETA4 rechargeable handle a longer examination time of approx. 3x

## For a very bright, readily visible fundus reflex:

Brilliant, precise LED streak image. Completely homogeneous and bright light for a precise, fast diagnosis. Adjustable feel-good lighting for the patient: patented, unique, stepless dimming from 3% to 100% with practical one-finger operation.



LED NOW IN HEINE QUALITY.

# HEINE HSL 150 HAND-HELD SLIT LAMP

The ideal portable solution for the examination of the anterior segment.  
Light, mobile and easy to use.



**THE HSL 150 FEATURES BRIGHT, WHITE XHL XENON HALOGEN ILLUMINATION** comparable in intensity with the best static slit lamps for examination of the anterior segment. The compact, ergonomic design provides instant loupe alignment of the slit image for comfortable operation. The HSL 150 provides a 10 x 0.2 mm up to 14 x 4 mm slit image for direct focal illumination with an optical section. The ideal alternative for examinations where a static slit lamp is not available or practical to use. This hand-held slit lamp is invaluable for screening, in accident and emergency rooms, and for bed-ridden patients or small children.



# HEINE LAMBDA 100 RETINOMETER

The easy way of determining potential visual acuity after cataract surgery – proven by studies\*.



## \* SUMMARY OF STUDIES:

- Even in patients with opacities, relatively accurate prediction of potential visual acuity (especially in cases of moderate cataracts).<sup>3-5</sup>
- Retrospective analysis: In 94.5% of cases the achieved postoperative visual acuity was equal to or higher than the one earlier determined with the retinometer.<sup>5</sup>
- Helpful in planning surgery, especially on patients also suffering from another condition that affects their sight, which is the case for just under a third of all cataract patients.<sup>1,5</sup>
- Determines whether a combined operation is necessary or whether cataract surgery alone is sufficient.
- Useful in managing expectations, which is particularly important when dealing with patients with an ocular comorbidity where there is limited probability of improved visual acuity after surgery.<sup>5</sup>
- Rapid examination, taking less than 2 minutes, and easy to perform.<sup>2</sup>



➤ **The HEINE LAMBDA 100 Retinometer helps you explain the situation to your patients – improving the trust between doctor and patient.**

# HEINE HAND-HELD INDIRECT OPHTHALMOSCOPE

For a fast and reliable fundus examination. Convenient hand-held indirect ophthalmoscope for mobile use.

Coated optical glass provides a clear and sharp image, even with a high level of illuminance

Optionally integrated interference red-free filter for increased contrast

One-hand operation: All control elements can be reached with the thumb

HEINE XHL Xenon Halogen illumination

Continuous brightness control

+3dpt. lens attachment

Adjustable illumination beam, for the examination of small pupils



BETA4 rechargeable handle with latest Li-ion technology



## HEINE A.R. Aspheric Ophthalmoscopy Lens

The ophthalmoscopy lens which is needed for the examination provides a 3 – 5x magnification of the fundus. 16D/Ø 54mm, 20D/Ø 50mm and 30D/Ø 46mm.



## HEINE Hand-held Indirect Binocular Ophthalmoscope

Adding the binocular attachment to the hand-held indirect ophthalmoscope allows stereoscopic examination. PD selection from 54 to 74mm

# ORDERING INFORMATION



BETA 200 Ophthalmoscope with	2.5V XHL	3.5V XHL	LED
BETA battery handle, spare bulb, hard case	C-144.10.118		
BETA4 USB rechargeable handle, medical approved plug-in power supply, handle rest, spare bulb for XHL version, hard case ⚡		C-144.27.388	C-144.28.388
BETA4 NT rechargeable handle, NT4 table charger, spare bulb for XHL version, hard case		C-144.23.420	C-144.24.420



BETA 200S Ophthalmoscope with	2.5V XHL	3.5V XHL	LED
BETA battery handle, spare bulb, hard case	C-261.10.118		
BETA4 USB rechargeable handle, medical approved plug-in power supply, handle rest, spare bulb for XHL version, hard case ⚡		C-261.27.388	C-261.28.388
BETA4 NT rechargeable handle, NT4 table charger, spare bulb for XHL version, hard case		C-261.23.420	C-261.24.420



BETA 200 Streak Retinoscope with	2.5V XHL	3.5V XHL	LED
BETA battery handle, spare bulb, hard case	C-034.10.118		
BETA4 USB rechargeable handle, medical approved plug-in power supply, handle rest, spare bulb for XHL version, hard case ⚡		C-034.27.388	C-034.28.388
BETA4 NT rechargeable handle, NT4 table charger, spare bulb for XHL version, hard case		C-034.23.420	C-034.24.420
<b>Accessories:</b>			
Spare bulb to convert to <b>Spot Retinoscope</b>	X-001.88.088	X-002.88.090	
Fixation cards with holder for dynamic retinoscopy			C-000.15.360



HSL 150 Hand-held Slit Lamp with	2.5V XHL	3.5V XHL
BETA4 SLIM NT rechargeable handle, NT4 table charger, spare bulb, hard case		C-266.20.471
BETA SLIM battery handle, soft pouch, without spare bulb	C-252.10.105	
<b>Accessories:</b> HSL 10x Loupe Attachment for HSL 150		C-000.14.606



LAMBDA 100 Retinometer with	3.5V XHL
acuity scale (scale 2), BETA4 USB rechargeable handle, medical approved plug-in power supply, handle rest, spare bulb ⚡	C-037.27.388
decimal scale (scale 1), BETA4 USB rechargeable handle, medical approved plug-in power supply, handle rest, spare bulb ⚡	C-038.27.388



Hand-held Indirect Ophthalmoscope MONOCULAR with	3.5V XHL
BETA4 USB rechargeable handle, medical approved plug-in power supply, handle rest ⚡	C-020.27.388
BETA4 NT rechargeable handle, NT4 table charger	C-020.23.420

Hand-held Indirect Ophthalmoscope BINOCULAR – PD selection from 54 to 74 mm with	3.5V XHL
BETA4 USB rechargeable handle, medical approved plug-in power supply, handle rest ⚡	C-021.27.388
BETA4 NT rechargeable handle, NT4 table charger	C-021.23.420

You will find more information about the sets and accessories in our complete catalogue or at [www.heine.com](http://www.heine.com)

Due to local regulations, some products may not be available in your country.

# QUALITY made in GERMANY.

As a global leader in the manufacture of primary diagnostic instruments with over 500 employees, HEINE Optotechnik has been a 100% family owned and managed company for more than 75 years. We continue to develop and manufacture HEINE instruments at our facilities in Germany, where we combine decades-long experience and craftsmanship with the most modern manufacturing technologies.

We are represented in over 120 countries around the world, with subsidiaries in the US, Canada, Australia and Switzerland as well as 3,000 representatives, importers and specialist dealers.

We look forward to hearing from you – and would like to know more about your opinions, desires and suggestions regarding our products.



■ HEINE SUBSIDIARY COMPANIES & REPRESENTATIVES

 **HEINE Optotechnik GmbH & Co. KG**  
Dornierstr. 6, 82205 Gilching, Germany,  
Tel. +49 (0) 81 05 - 77 28 0, Fax +49 (0) 81 05 - 77 28 2 0 2  
E-Mail: [info@heine.com](mailto:info@heine.com), [www.heine.com](http://www.heine.com)



07/21. A-000.00.230 e

