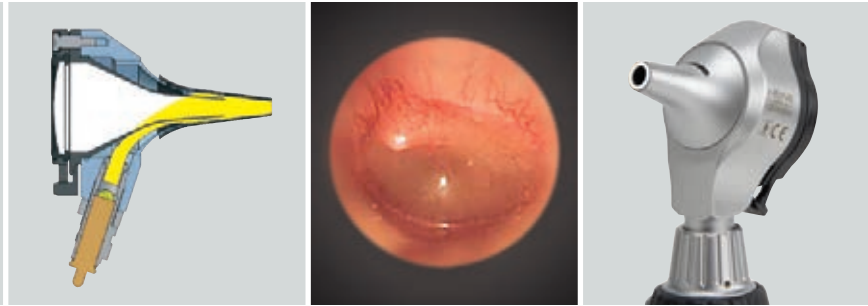




High-quality Fiber Optics (F.O.) provide a homogeneous, reflex-free illumination.



## HEINE BETA® 400 LED F.O. Otoscope

### 4.2x magnification with LED<sup>HQ</sup> illumination

**LED<sup>HQ</sup>**  
LED NOW IN HEINE QUALITY.

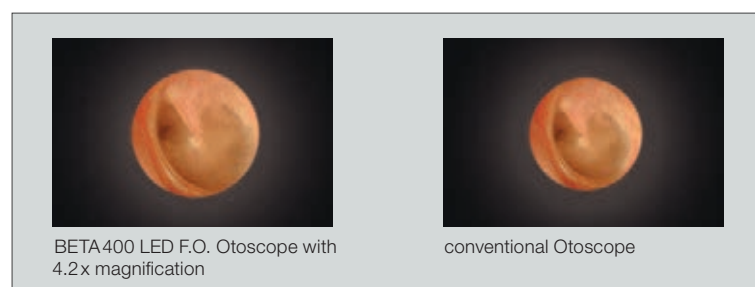


- EXCLUSIVELY AT HEINE**
- 4,2x Magnification
  - LED in HQ with continuous brightness control
  - All-metal housing

The otoscope has been designed with an all metal housing and scratch resistant glass lenses which guarantee a lifetime of maintenance-free use. LED with virtually unlimited hours of working life (typ. 100,000 hours). No need to ever replace bulbs. Maintenance-free for a lifetime.

- **Exclusive 4.2x magnification.** More detail of anatomical structures and easy recognition of foreign bodies.
- **Exceptional depth of field.** Provides sharp spatial images in a convenient working range.
- **Large field of view.** Gives the necessary overview and perfect orientation during examinations.
- **Multi-coated precision optics.** Offer high resolution and distortion free images.
- **Fiber Optic Illumination.** Ensures homogeneous, very bright illumination and an unobstructed view of the ear canal and tympanum.
- **LED in HQ:** The new standard in LED illumination defining optimal light intensity, homogeneity and colour rendering for the most accurate diagnosis. Red is red, blue is blue. Colour temperature: typ. 3,500K, Colour Rendering Index (CRI) >97, exceptional colour rendering.
- **Special optical interface to precisely integrate the LED illumination with the optical system** to ensure bright (typ. 77,000 lux with tip), homogeneous light during examinations.
- **Exclusive continuous brightness control** between 100% and 3% (patented) with one-finger operation.
- **One hand operation.** The unique patented design allows the permanently attached optical system to be flipped open and out of the way, enabling instrumentation and ease of cleaning.
- **Integrated insufflation port** offers tympanic mobility testing without air leakage.
- **Full functionality of the BETA400 LED is guaranteed with BETA Rechargeable Handles and the EN 100/EN 200 Wall Transformers.**

BETA400 LED F.O. Otoscope	LED
with 4 reusable tips, without handle	<b>B-008.11.401</b>
same, without tips, without handle	<b>B-008.11.400</b>



## HEINE BETA® 200 S LED Ophthalmoscope

### Superior aspherical optics with LED<sup>HQ</sup> illumination

**LED<sup>HQ</sup>**  
LED NOW IN HEINE QUALITY.



- EXCLUSIVELY AT HEINE**
- Aspherical optical system
  - LED in HQ with continuous brightness control
  - Aluminium frame system

BETA200S with 7 apertures



Cobalt blue filter, fixation star with polar coordinates, large spot, small spot, pinhole, slit, hemisport



With red-free filter

Exclusive dustproof design protects the precision optical components and ensures maintenance-free operation. The BETA200/200 S Ophthalmoscopes are the only instruments with an aluminium frame system. Optical components are flush-mounted on a cast aluminum frame, eliminating misalignment and making the instrument shock-resistant. The BETA200 S LED has virtually unlimited hours of working life (typ. 100,000 hours). No need to ever replace bulbs. Maintenance-free for a lifetime.

- **Exclusive aspherical optical system (AOS)** for more information see the bottom of page 036.
- **LED in HQ:** The new standard in LED illumination defining optimal light intensity, homogeneity and colour rendering for the most accurate diagnosis. Red is red, blue is blue. Colour temperature: typ. 3,500K, Colour Rendering Index (CRI) >97, exceptional colour rendering.
- **Special optical interface to precisely integrate the LED illumination with the optical system** to ensure bright, homogeneous light during examinations.
- **The BETA200 S Ophthalmoscope** accommodates higher refractive errors with a **28 single lenses Rekoss Disc** and features a 74 single step design on a non-continuous wheel avoiding extreme diopter jumps.
  - + in 1 D steps: +1 through +38 D
  - in 1 D steps: -1 through -36 D
- **Exclusive continuous brightness control** between 100 % and 3 % (patented) with one-finger operation.
- **No stray light due to the recessed, multi-coated viewing window** – eliminates distractions.
- **Precise one-hand control of the instrument.** Ergonomic design offers flexibility while examining.
- **Suitable for large as well as small or undilated pupils.**
- **Ergonomic design** fits the orbita comfortably, and blocks out ambient light.
- **Full functionality of the BETA200 S LED is guaranteed with BETA Rechargeable Handels and the EN 100/EN 200 Wall Transformers.**

BETA200 S LED Ophthalmoscope	LED
without handle	C-008.30.120

## HEINE BETA® 200 S Ophthalmoscope

### Superior aspherical optics with XHL illumination



BETA200 S Ophthalmoscope with XHL Xenon Halogen illumination instead of LED illumination. Other technical specifications the same as the BETA200 S LED Ophthalmoscope.

- **XHL Xenon Halogen bulb** with bright illumination and authentic colour rendering.

BETA200 S Ophthalmoscope	2.5V XHL	3.5V XHL
without handle	C-001.30.120	C-002.30.120
XHL Xenon Halogen spare bulb	X-001.88.069	X-002.88.070



## HEINE BETA® 200 LED Ophthalmoscope

### Superior aspherical optics with LED<sup>HQ</sup> illumination



The ophthalmoscope with unique aspherical optics and all features of the BETA200S LED, but:



- ∴ Without macula aperture (pinhole)
- ∴ The BETA 200 Ophthalmoscope accommodates higher refractive errors with a 27 single lenses Rekoss Disc.

+ in 1 D steps: 1 – 10	15	20	40	D
– in 1 D steps: 1 – 10	15	20	25	35 D

BETA 200 LED Ophthalmoscope	LED
without handle	C-008.30.100

- ∴ Full functionality of the BETA 200 LED is guaranteed with BETA Rechargeable Handels and the EN 100/EN 200 Wall Transformers.

- EXCLUSIVELY AT HEINE**
- Aspherical optical system
  - LED in HQ with continuous brightness control
  - Aluminium frame system

#### BETA 200 with 6 apertures



Slit, fixation star with polar coordinates, cobalt blue filter, large spot, small spot, hemislot



With red-free filter

## HEINE BETA® 200 Ophthalmoscope

### Superior aspherical optics with XHL illumination

The ophthalmoscope with unique aspherical optics and all features of the BETA200 LED, but:

- ∴ XHL Xenon Halogen bulb with bright illumination and authentic colour rendering.



BETA 200 Ophthalmoscope	2.5V XHL	3.5V XHL
without handle	C-001.30.100	C-002.30.100

XHL Xenon Halogen spare bulb	X-001.88.069	X-002.88.070
------------------------------	--------------	--------------

BETA 200 M2 Ophthalmoscope	2.5V XHL	3.5V XHL
BETA 200 M2 Ophthalmoscope, without handle. Like BETA 200, except with pinhole instead of small spot and with fixation star aperture without polar coordinates.	C-001.30.102	C-002.30.102

#### BETA 200 M2 apertures



Slit, fixation star, cobalt blue filter, large spot, pinhole, hemislot



With red-free filter



HEINE Direct Ophthalmoscopes



BETA200 S



BETA200  
Opt. 1



BETA200 M2  
Opt. 2



K180  
Opt. 1    Opt. 2



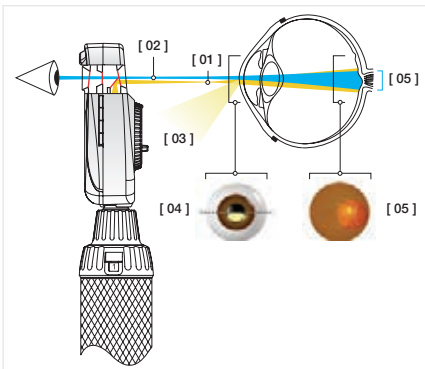
mini3000

LED illumination  
XHL illumination



	Optical System			
Aspherical	<input type="checkbox"/>	<input type="checkbox"/>	<input type="checkbox"/>	<input type="checkbox"/>
Conventional	<input type="checkbox"/>	<input type="checkbox"/>	<input type="checkbox"/>	<input type="checkbox"/>
	Illumination			
LED illumination	<input type="checkbox"/>	<input type="checkbox"/>	<input type="checkbox"/>	<input type="checkbox"/>
XHL illumination	<input type="checkbox"/>	<input type="checkbox"/>	<input type="checkbox"/>	<input type="checkbox"/>
	Apertures			
	<input type="checkbox"/>	<input type="checkbox"/>	<input type="checkbox"/>	<input type="checkbox"/>
	<input type="checkbox"/>	<input type="checkbox"/>	<input type="checkbox"/>	<input type="checkbox"/>
	<input type="checkbox"/>	<input type="checkbox"/>	<input type="checkbox"/>	<input type="checkbox"/>
	<input type="checkbox"/>	<input type="checkbox"/>	<input type="checkbox"/>	<input type="checkbox"/>
	<input type="checkbox"/>	<input type="checkbox"/>	<input type="checkbox"/>	<input type="checkbox"/>
	<input type="checkbox"/>	<input type="checkbox"/>	<input type="checkbox"/>	<input type="checkbox"/>
	<input type="checkbox"/>	<input type="checkbox"/>	<input type="checkbox"/>	<input type="checkbox"/>
	<input type="checkbox"/>	<input type="checkbox"/>	<input type="checkbox"/>	<input type="checkbox"/>
	<input type="checkbox"/>	<input type="checkbox"/>	<input type="checkbox"/>	<input type="checkbox"/>
	Corrective lenses			
Range	- 36 to +38	- 35 to +40	- 35 to +40	- 20 to +20
Number of lenses	28	27	27	18
1 D Steps	<input type="checkbox"/>	<input type="checkbox"/>	<input type="checkbox"/>	<input type="checkbox"/>
	Dust protection			
Dustproof	<input type="checkbox"/>	<input type="checkbox"/>	<input type="checkbox"/>	<input type="checkbox"/>
Dust protected	<input type="checkbox"/>	<input type="checkbox"/>	<input type="checkbox"/>	<input type="checkbox"/>
Aluminium frame system	<input type="checkbox"/>	<input type="checkbox"/>	<input type="checkbox"/>	<input type="checkbox"/>
	Instrument size			
Professional	<input type="checkbox"/>	<input type="checkbox"/>	<input type="checkbox"/>	<input type="checkbox"/>
Compact	<input type="checkbox"/>	<input type="checkbox"/>	<input type="checkbox"/>	<input type="checkbox"/>
	Available power sources			
Battery 2.5V	<input type="checkbox"/>	<input type="checkbox"/>	<input type="checkbox"/>	<input type="checkbox"/>
Rechargeable battery 2.5V	<input type="checkbox"/>	<input type="checkbox"/>	<input type="checkbox"/>	<input type="checkbox"/>
Rechargeable battery 3.5V	<input type="checkbox"/>	<input type="checkbox"/>	<input type="checkbox"/>	<input type="checkbox"/>
Page	037	038	041	043/045

\* Red-free filter for all apertures



**“Aspherical Optical System” (AOS) exclusively from HEINE**

eliminates corneal and iris reflexes to provide large, crisp and glare-free fundus images.

**[01]** Flat, elliptical illumination beam produced by HEINE’s patented Aspherical Optical System.

**[02]** Observation path.

**[03]** Redirected iris and corneal reflexes.

**[04]** The elliptical light beam enters through the lower half of the cornea. The illumination beam has been separated from the observation beam (Gullstrand-Principle). All reflexes are diverted away from the observation beam due to the curvature of the reflective cornea. Due to the flat, compressed form of the light beam, a maximum amount of light enters through the pupil.

**[05]** Once past the anterior chamber, the light beam opens up dramatically to illuminate a large area of the retina.



**HEINE BETA® 400 F.O. Otoscope**

**4.2x magnification with XHL illumination**



BETA400 F.O. Otoscope with XHL Xenon Halogen illumination instead of LED illumination. Other technical specifications the same as the BETA400 LED F.O. Otoscope.

∴ **XHL Xenon Halogen bulb** with bright illumination and authentic colour rendering.

BETA400 F.O. Otoscope	2.5V XHL	3.5V XHL
with 4 reusable tips, without handle	<b>B-001.11.401</b>	<b>B-002.11.401</b>
same, without tips, without handle	<b>B-001.11.400</b>	<b>B-002.11.400</b>
XHL Xenon Halogen spare bulb	<b>X-001.88.077</b>	<b>X-002.88.078</b>

**HEINE BETA® 400 F.O. ENT Diagnostic Sets**

▶ with XHL or LED<sup>HQ</sup> illumination



Set complete with: **BETA400 F.O. Otoscope in XHL or LED**

- 1 set (4 pcs.) of reusable tips (B-000.11.111)
- 5 of both AllSpec disposable tips 2.5 and 4 mm Ø
- spare bulb for XHL version
- hard case

BETA 400 F.O. Otoscope Sets	2.5V XHL	3.5V XHL	LED
BETA battery handle	<b>B-143.10.118</b>		
BETA4 USB rechargeable handle with USB cord and plug-in power supply		<b>B-143.27.388</b>	<b>B-143.28.388</b>
BETA4 USB rechargeable handle		<b>B-143.27.387</b>	<b>B-143.28.387</b>
BETA4 NT rechargeable handle with NT 4 table charger		<b>B-143.23.420</b>	<b>B-143.24.420</b>

**HEINE BETA® 400 F.O. Diagnostic Sets**

▶ with XHL or LED<sup>HQ</sup> illumination



Set complete with: **BETA400 F.O. Otoscope, BETA200 Ophthalmoscope both in XHL or LED,**

- 1 set (4 pcs.) of reusable tips (B-000.11.111)
- 5 of both AllSpec disposable tips 2.5 and 4 mm Ø
- one spare bulb each for XHL version
- hard case

BETA 400 F.O. Otoscope Sets	2.5V XHL	3.5V XHL	LED
BETA battery handle	<b>A-153.10.118</b>		
BETA4 USB rechargeable handle with USB cord and plug-in power supply		<b>A-153.27.388</b>	<b>A-153.28.388</b>
BETA4 USB rechargeable handle		<b>A-153.27.387</b>	<b>A-153.28.387</b>
BETA4 NT rechargeable handle with NT 4 table charger		<b>A-153.23.420</b>	<b>A-153.24.420</b>