

sharing the same goal.



CABINETS FOR STORAGE AND DRYING

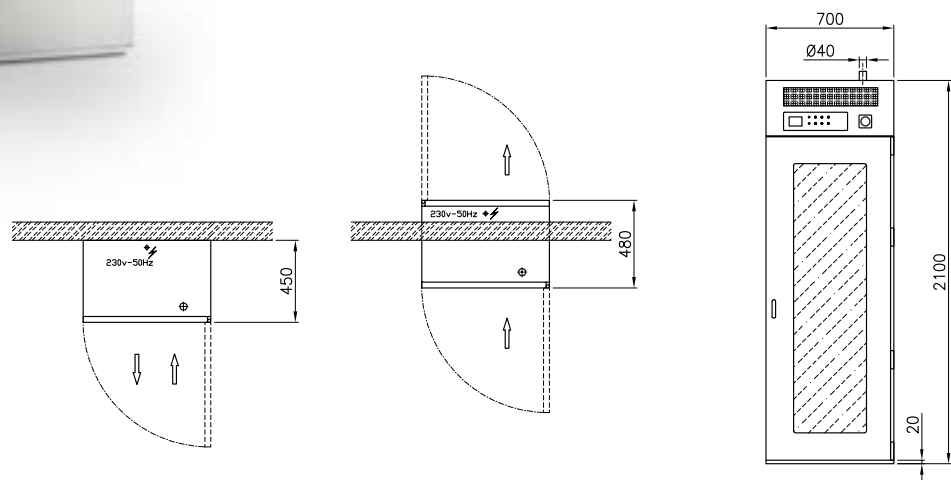


Atos DC-70

Cabinets for storage and drying



- The storage cabinets permit the drying of surgical instruments, anesthesia circuits and hospital blankets with controlled warm air.
- Cabinets are made in stainless steel 304, sound-damped by fireproof material inside and front panel with tempered double glass.
- Touch-screen control panel with colors graphic LCD display which permit the setting of drying parameters as temperature and time depending by the articles to process with acoustic signal in case of alarms and process end.
- The temperature and times are set every start-up of program from minimum 70°C to 90°C with a time from 1 to 999 minutes or continuously.
- One sensor, placed on the door, permit to open the cabinet and reset the cycle automatically in every moment.
- Equipped of air aspiration through Hepa filter H14 with automatic alarm of pressure leakage in the circuit and changing of filter.





DCA - 70

Drying cabinet for anesthesia circuits

- Capacity up to 6 anesthesia boxes with 6 positions each for a total of 36 positions for hoses and bags.
- Possibility to add shelves for a hybrid solution with surgical instruments.

AB - 70



DCI - 70

Drying cabinet for surgical instruments

- Equipped of 10 removable shelves.
- Capacity up to 10 DIN 1/1 baskets with the possibility to increase the height removing some shelves.

IS - 70



DCB - 70

Warming cabinet for blankets and clothes

- Equipped of 10 removable shelves for positioning of towels, blankets and clothes with distribution of air on each single shelf.

AP - 70



ENDO 1

Ventilated cabinet for endoscopes



► **Dimensions:** L 900 x D 575 x H 2400 (mm)

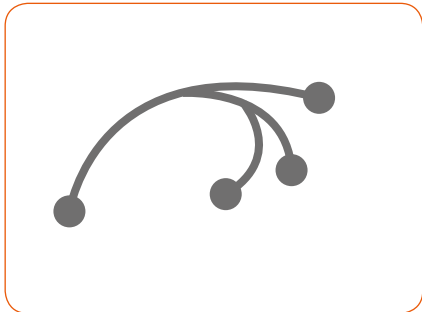
ENDO 1

Ventilated cabinet for endoscopes

- Made entirely of stainless steel AISI 304.
- Front doors with stainless steel frame and tempered glass surface complete of silicon edge seal which guarantee a perfect door seal and valid barrier to dust and dirt, complete of lock with key.
- N. 3 vertical panels extractible on rails made in stainless steel, equipped of UNIVERSAL holders and hooks to store a total of **12 ENDOSCOPES** (Pentax, Fuji, Olympus) and complete of removable basin to collect eventual water drops.
- After the hanging of endoscopes on the appropriate holders and closed the door, filtered air (HEPA h14) at room temperature is blew inside the cabinet through 4 fans for 90 minutes or continuously.
- If the doors are opened during the cycle, the fans stop and start again only after the closing of the doors for other 90 minutes.
- A pressure sensor check the HEPA filter and an alarm signal appears on the display to inform to clean or change the filter.
- On the front panel is placed the colors graphic LCD to make easier the functioning informations and alarms informations to the users.
- The touch screen panel is useful to modify the parameter and the programming.
- N.4 low consumption LED lights are installed on the upper part of cabinet to get better visibility during the loading and unloading of instruments.
- USB port for programming and RS232 for external connections.
- Configured also with pass-through mode with interlocked doors.

ENDO 3

Ventilated cabinet for endoscopes



► **Dimensions:** L 1100 x 575 x H 2100 (mm)

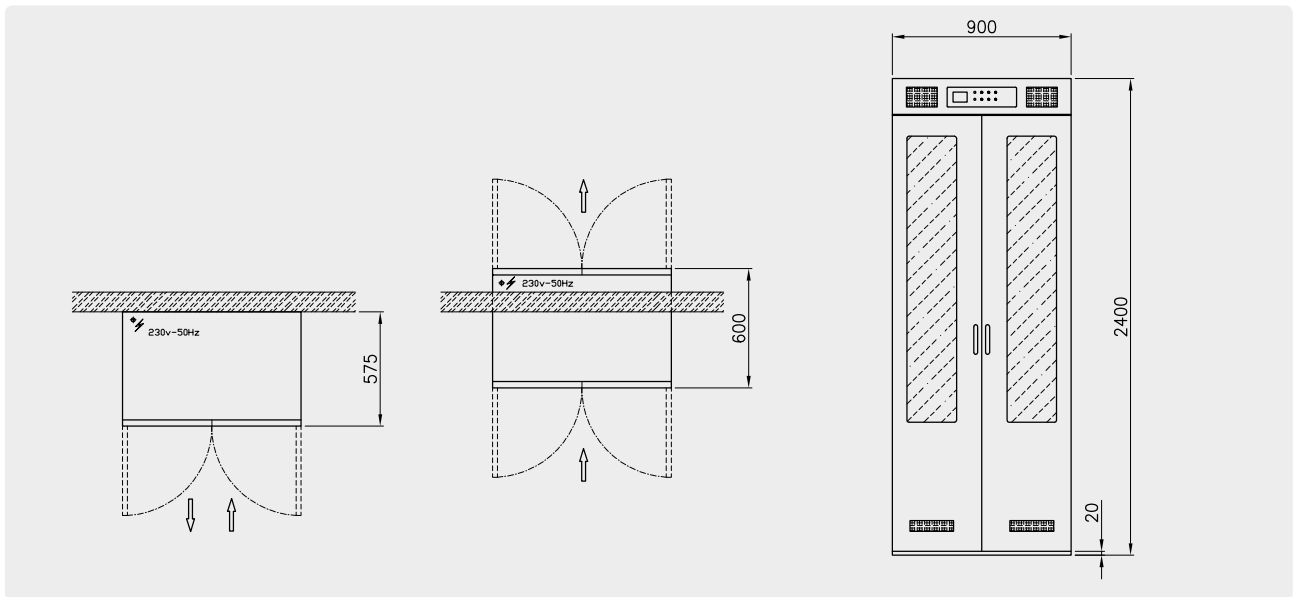
ENDO 3

Ventilated cabinet for endoscopes

- Made entirely of stainless steel AISI 304.
- Front doors with stainless steel frame and tempered glass surface complete of silicon edge seal which guarantee a perfect door seal and valid barrier to dust and dirt, complete of lock with key.
- N. 3 vertical panels extractible on rails made in stainless steel, equipped of UNIVERSAL holders and hooks to store a total of **6 ENDOSCOPES** (Pentax, Fuji, Olympus) and complete of removable basin to collect eventual water drops.
- The positioning can be monitored by a bar code traceability system which records the storage process, the operator, the number of endoscope processed, the exact position and check the maximum time of storage advising, with an alarm, the endoscope to be washing reprocessed.
- The ventilation of endoscopes hanged on the appropriate universal holders is done by a three-ways fast connector connected to the endoscopic channels, blowing room air filtered by Hepa filter (H14).
- The channels are checked by a pressure system which verifies the free passing of air.
- An additional pressure sensor check the HEPA filter and an alarm will appear on the display to inform to clean or change the filter.
- On the upper front panel it's placed the colors graphic LCD to show and record the cycle events for each endoscope processed and eventual alarms.
- The touch screen panel is useful to modify the parameter and the programming.
- N.4 low consumption LED lights are installed on the upper part of cabinet to get better visibility during the loading and unloading of instruments.
- USB port for programming and RS232 for external connections as bar code scanners and printers.
- Configured also with pass-through mode with interlocked doors.

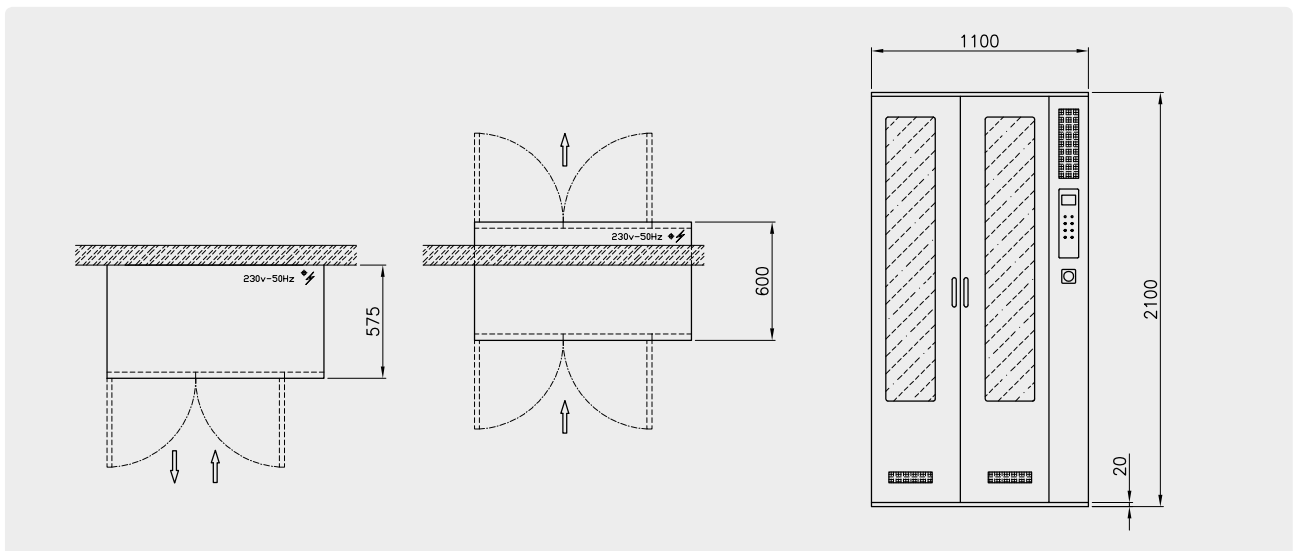
ENDO 1

Ventilated cabinet for endoscopes



ENDO 3

Ventilated cabinet for endoscopes



RTA - 1800

Cleaning table with ultrasonic sink



► **Dimensions:** L 1800 x D 605 x H 900 (mm)

- Made entirely in stainless steel AISI 304, with double-wall doors containing fireproof sound-damping material and silicon edge seal that guarantees a perfect door seal and valid barrier to dust and dirt.
- Equipped of washing sink 500x400xh250mm for pre-cleaning of processed articles using a shower tap with cold and hot water between a demineralized water spray gun and a compressed air spray gun.
- Equipped of 20 Lt ultrasonic sink 510x300xh200mm configured at 35 KHz with the possibility to adjust the power and time, with manual drainage system.



CSSD

SLUICE ROOM

SERVICES

OP ROOM

AT-OS
DISINFECTION TECHNOLOGY

AT-OS Srl

Viale del Lavoro, 19 - 37030 Colognola ai Colli - Verona - ITALY

Tel (+39) 045 6159411 - Fax (+39) 045 6159422

info@at-os.com | www.at-os.com

